

ELE Manhole Riser on BASE 1050-230

(for 600 to 900 dia. see our Sump Range)

MCG Ltd | 18 Murray Street | Aramoho | Wanganui | 06 344 5911 | 0800 ELE 222 | www.mcg-ele.co.nz

CODE	DESCRIPTION	DIA.	LGTH	WEIGHT KGS	EX-YARD PRICE
------	-------------	------	------	------------	---------------

1050

1050 Manhole Riser on Flanged Base - STANDARD

ELER1050.0600FB	1050.0600 ELE MANHOLE RISER & FL BASE	1050	0.60	971	\$1,881.99
ELER1050.0900FB	1050.0900 ELE MANHOLE RISER & FL BASE	1050	0.90	1141	\$2,105.73
ELER1050.1200FB	1050.1200 ELE MANHOLE RISER & FL BASE	1050	1.20	1311	\$2,412.69
ELER1050.1500FB	1050.1500 ELE MANHOLE RISER & FL BASE	1050	1.50	1481	\$2,719.96
ELER1050.1800FB	1050.1800 ELE MANHOLE RISER & FL BASE	1050	1.80	1651	\$3,027.22
ELER1050.2100FB	1050.2100 ELE MANHOLE RISER & FL BASE	1050	2.10	1821	\$3,335.23
ELER1050.2400FB	1050.2400 ELE MANHOLE RISER & FL BASE	1050	2.40	2014	\$3,767.05

1050 Manhole Riser on Flanged Base - NO Step Holes

ELER1050.0450.NH.FB	1050.0450 ELE RISER & FL BASE NO HOLES	1050	0.45	886	\$1,789.71
ELER1050.0600.NH.FB	1050.0600 ELE RISER & FL BASE NO HOLES	1050	0.60	971	\$1,881.99
ELER1050.0900.NH.FB	1050.0900 ELE RISER & FL BASE NO HOLES	1050	0.90	1141	\$2,105.73
ELER1050.1200.NH.FB	1050.1200 ELE RISER & FL BASE NO HOLES	1050	1.20	1311	\$2,412.69
ELER1050.1500.NH.FB	1050.1500 ELE RISER & FL BASE NO HOLES	1050	1.50	1481	\$2,719.96
ELER1050.1800.NH.FB	1050.1800 ELE RISER & FL BASE NO HOLES	1050	1.80	1651	\$3,027.22
ELER1050.2100.NH.FB	1050.2100 ELE RISER & FL BASE NO HOLES	1050	2.10	1821	\$3,335.23
ELER1050.2400.NH.FB	1050.2400 ELE RISER & FL BASE NO HOLES	1050	2.40	2014	\$3,767.05

1050 Manhole Riser WITH Internal Base

ELER1050.0600IB	1050.0600 ELE RISER & INTERNAL BASE	1050	0.60	652	\$1,742.24
ELER1050.0900IB	1050.0900 ELE RISER & INTERNAL BASE	1050	0.90	822	\$1,903.21
ELER1050.1200IB	1050.1200 ELE RISER & INTERNAL BASE	1050	1.20	992	\$2,077.66
ELER1050.1500IB	1050.1500 ELE RISER & INTERNAL BASE	1050	1.50	1162	\$2,371.94
ELER1050.1800IB	1050.1800 ELE RISER & INTERNAL BASE	1050	1.80	1332	\$2,764.77
ELER1050.2100IB	1050.2100 ELE RISER & INTERNAL BASE	1050	2.10	1502	\$3,070.96
ELER1050.2400IB	1050.2400 ELE RISER & INTERNAL BASE	1050	2.40	1695	\$3,451.35



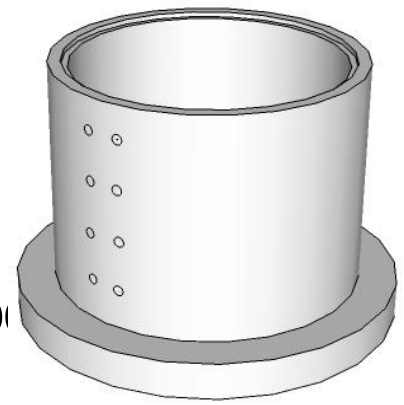
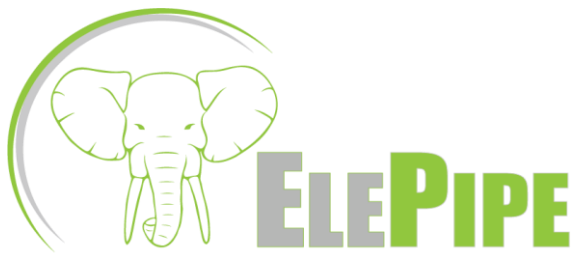
MCG

McDONALD
CONCRETE
GROUP Ltd

Please Note:

All prices are subject to change without prior notice.
Concrete Pipe prices do not include Rubber Rings or External Bands.

All prices are ex our yard
Weights not guaranteed
Freight to site will be at extra charge



ELE Manhole Riser on BASE 1050-2300

(for 600 to 900 dia. see our Sump Range)

MCG Ltd | 18 Murray Street | Aramoho | Wanganui | 06 344 5911 | 0800 ELE 222 | www.mcg-ele.co.nz

CODE	DESCRIPTION	DIA.	LGTH	WEIGHT KGS	EX-YARD PRICE
------	-------------	------	------	---------------	------------------

1200

1200 Manhole Riser on Flanged Base - STANDARD

ELER1200.0600FB	1200.0600 ELE MANHOLE RISER & FL BASE	1200	0.60	1238	\$2,221.15
ELER1200.0900FB	1200.0900 ELE MANHOLE RISER & FL BASE	1200	0.90	1468	\$2,404.78
ELER1200.1200FB	1200.1200 ELE MANHOLE RISER & FL BASE	1200	1.20	1698	\$2,728.98
ELER1200.1500FB	1200.1500 ELE MANHOLE RISER & FL BASE	1200	1.50	1927	\$3,110.20
ELER1200.1800FB	1200.1800 ELE MANHOLE RISER & FL BASE	1200	1.80	2157	\$3,491.42
ELER1200.2100FB	1200.2100 ELE MANHOLE RISER & FL BASE	1200	2.10	2387	\$3,872.64
ELER1200.2400FB	1200.2400 ELE MANHOLE RISER & FL BASE	1200	2.40	2648	\$4,253.86

1200 Manhole Riser on Flanged Base - NO Step Holes

ELER1200.0600.NH.FB	1200.0600 ELE RISER & FL BASE NO HOLES	1200	0.60	1238	\$2,221.15
ELER1200.0900.NH.FB	1200.0900 ELE RISER & FL BASE NO HOLES	1200	0.90	1468	\$2,404.78
ELER1200.1200.NH.FB	1200.1200 ELE RISER & FL BASE NO HOLES	1200	1.20	1698	\$2,728.98
ELER1200.1500.NH.FB	1200.1500 ELE RISER & FL BASE NO HOLES	1200	1.50	1927	\$3,110.20
ELER1200.1800.NH.FB	1200.1800 ELE RISER & FL BASE NO HOLES	1200	1.80	2157	\$3,491.42
ELER1200.2100.NH.FB	1200.2100 ELE RISER & FL BASE NO HOLES	1200	2.10	2387	\$3,872.64
ELER1200.2400.NH.FB	1200.2400 ELE RISER & FL BASE NO HOLES	1200	2.40	2648	\$4,253.86

1200 Manhole Riser WITH Internal Base

ELER1200.0600IB	1200.0600 ELE RISER & INTERNAL BASE	1200	0.60	867	\$1,938.17
ELER1200.0900IB	1200.0900 ELE RISER & INTERNAL BASE	1200	0.90	1097	\$2,208.16
ELER1200.1200IB	1200.1200 ELE RISER & INTERNAL BASE	1200	1.20	1326	\$2,404.50
ELER1200.1500IB	1200.1500 ELE RISER & INTERNAL BASE	1200	1.50	1556	\$2,699.50
ELER1200.1800IB	1200.1800 ELE RISER & INTERNAL BASE	1200	1.80	1786	\$3,080.72
ELER1200.2100IB	1200.2100 ELE RISER & INTERNAL BASE	1200	2.10	2016	\$3,461.94
ELER1200.2400IB	1200.2400 ELE RISER & INTERNAL BASE	1200	2.40	2276	\$3,843.16



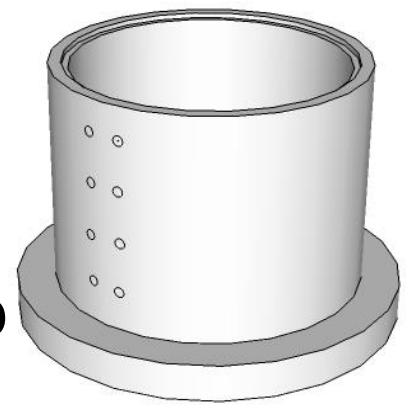
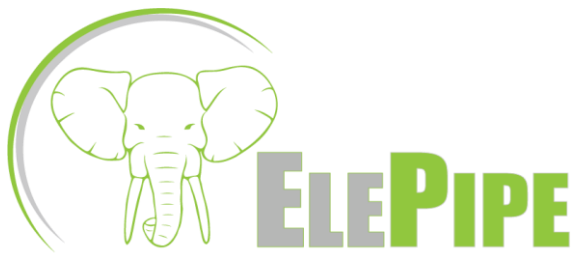
MCG

**McDONALD
CONCRETE
GROUP Ltd**

Please Note:

All prices are subject to change without prior notice.
Concrete Pipe prices do not include Rubber Rings or External Bands.

All prices are ex our yard
Weights not guaranteed
Freight to site will be at extra charge



ELE Manhole Riser on BASE 1050-230

(for 600 to 900 dia. see our Sump Range)

MCG Ltd | 18 Murray Street | Aramoho | Wanganui | 06 344 5911 | 0800 ELE 222 | www.mcg-ele.co.nz

CODE	DESCRIPTION	DIA.	LGTH	WEIGHT KGS	EX-YARD PRICE
1350					
1350 Manhole Riser on Flanged Base - STANDARD					
ELER1350.0600FB	1350.0600 ELE MANHOLE RISER & FL BASE	1350	0.60	1463	\$2,443.77
ELER1350.0900FB	1350.0900 ELE MANHOLE RISER & FL BASE	1350	0.90	1724	\$2,765.31
ELER1350.1200FB	1350.1200 ELE MANHOLE RISER & FL BASE	1350	1.20	1985	\$3,239.85
ELER1350.1500FB	1350.1500 ELE MANHOLE RISER & FL BASE	1350	1.50	2246	\$3,714.39
ELER1350.1800FB	1350.1800 ELE MANHOLE RISER & FL BASE	1350	1.80	2508	\$4,188.94
ELER1350.2100FB	1350.2100 ELE MANHOLE RISER & FL BASE	1350	2.10	2769	\$4,663.47
ELER1350.2400FB	1350.2400 ELE MANHOLE RISER & FL BASE	1350	2.40	3065	\$5,138.01

1350 Manhole Riser on Flanged Base - NO Step Holes

ELER1350.0600.NH.FB	1350.0600 ELE RISER & FL BASE NO HOLES	1350	0.60	1463	\$2,443.77
ELER1350.0900.NH.FB	1350.0900 ELE RISER & FL BASE NO HOLES	1350	0.90	1724	\$2,765.31
ELER1350.1200.NH.FB	1350.1200 ELE RISER & FL BASE NO HOLES	1350	1.20	1985	\$3,239.85
ELER1350.1500.NH.FB	1350.1500 ELE RISER & FL BASE NO HOLES	1350	1.50	2246	\$3,714.39
ELER1350.1800.NH.FB	1350.1800 ELE RISER & FL BASE NO HOLES	1350	1.80	2508	\$4,188.94
ELER1350.2100.NH.FB	1350.2100 ELE RISER & FL BASE NO HOLES	1350	2.10	2769	\$4,663.47
ELER1350.2400.NH.FB	1350.2400 ELE RISER & FL BASE NO HOLES	1350	2.40	3065	\$5,138.01

1350 Manhole Riser WITH Internal Base

ELER1350.0600IB	1350.0600 ELE RISER & INTERNAL BASE	1350	0.60	1038	\$2,209.00
ELER1350.0900IB	1350.0900 ELE RISER & INTERNAL BASE	1350	0.90	1299	\$2,513.09
ELER1350.1200IB	1350.1200 ELE RISER & INTERNAL BASE	1350	1.20	1560	\$2,760.97
ELER1350.1500IB	1350.1500 ELE RISER & INTERNAL BASE	1350	1.50	1821	\$3,235.52
ELER1350.1800IB	1350.1800 ELE RISER & INTERNAL BASE	1350	1.80	2082	\$3,710.06
ELER1350.2100IB	1350.2100 ELE RISER & INTERNAL BASE	1350	2.10	2343	\$4,184.60
ELER1350.2400IB	1350.2400 ELE RISER & INTERNAL BASE	1350	2.40	2639	\$4,659.14



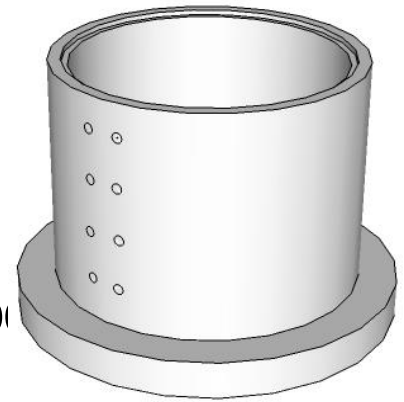
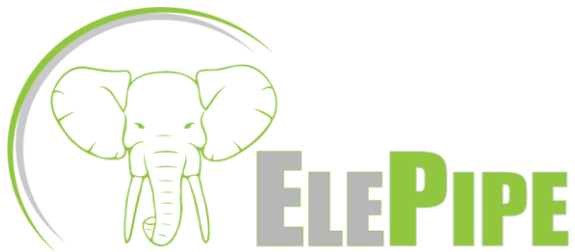
MCG

McDONALD
CONCRETE
GROUP Ltd

Please Note:

All prices are subject to change without prior notice.
Concrete Pipe prices do not include Rubber Rings or External Bands.

All prices are ex our yard
Weights not guaranteed
Freight to site will be at extra charge



ELE Manhole Riser on BASE 1050-2300

(for 600 to 900 dia. see our Sump Range)

MCG Ltd | 18 Murray Street | Aramoho | Wanganui | 06 344 5911 | 0800 ELE 222 | www.mcg-ele.co.nz

CODE	DESCRIPTION	DIA.	LGTH	WEIGHT KGS	EX-YARD PRICE
------	-------------	------	------	---------------	------------------

1500

1500 Manhole Riser on Flanged Base - STANDARD

ELER1500.0600FB	1500.0600 ELE MANHOLE RISER & FL BASE	1500	0.60	1676	\$2,794.53
ELER1500.0900FB	1500.0900 ELE MANHOLE RISER & FL BASE	1500	0.90	1962	\$3,045.57
ELER1500.1200FB	1500.1200 ELE MANHOLE RISER & FL BASE	1500	1.20	2247	\$3,577.77
ELER1500.1500FB	1500.1500 ELE MANHOLE RISER & FL BASE	1500	1.50	2533	\$4,110.00
ELER1500.1800FB	1500.1800 ELE MANHOLE RISER & FL BASE	1500	1.80	2818	\$4,642.20
ELER1500.2100FB	1500.2100 ELE MANHOLE RISER & FL BASE	1500	2.10	3104	\$5,174.41
ELER1500.2400FB	1500.2400 ELE MANHOLE RISER & FL BASE	1500	2.40	3427	\$5,706.61

1500 Manhole Riser on Flanged Base - NO Step Holes

ELER1500.0600.NH.FB	1500.0600 ELE RISER & FL BASE NO HOLES	1500	0.60	1676	\$2,794.53
ELER1500.0900.NH.FB	1500.0900 ELE RISER & FL BASE NO HOLES	1500	0.90	1962	\$3,045.57
ELER1500.1200.NH.FB	1500.1200 ELE RISER & FL BASE NO HOLES	1500	1.20	2247	\$3,577.77
ELER1500.1500.NH.FB	1500.1500 ELE RISER & FL BASE NO HOLES	1500	1.50	2533	\$4,110.00
ELER1500.1800.NH.FB	1500.1800 ELE RISER & FL BASE NO HOLES	1500	1.80	2818	\$4,642.20
ELER1500.2100.NH.FB	1500.2100 ELE RISER & FL BASE NO HOLES	1500	2.10	3104	\$5,174.41
ELER1500.2400.NH.FB	1500.2400 ELE RISER & FL BASE NO HOLES	1500	2.40	3427	\$5,706.61

1500 Manhole Riser WITH Internal Base

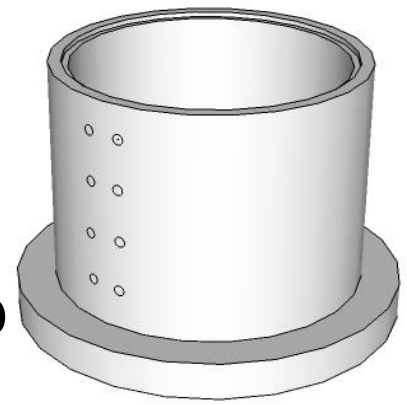
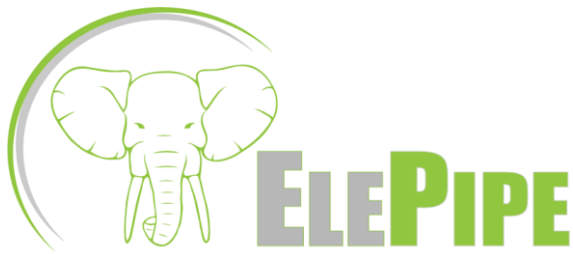
ELER1500.0600IB	1500.0600 ELE RISER & INTERNAL BASE	1500	0.60	1207	\$2,471.02
ELER1500.0900IB	1500.0900 ELE RISER & INTERNAL BASE	1500	0.90	1493	\$2,775.06
ELER1500.1200IB	1500.1200 ELE RISER & INTERNAL BASE	1500	1.20	1778	\$3,125.46
ELER1500.1500IB	1500.1500 ELE RISER & INTERNAL BASE	1500	1.50	2064	\$3,657.68
ELER1500.1800IB	1500.1800 ELE RISER & INTERNAL BASE	1500	1.80	2349	\$4,189.88
ELER1500.2100IB	1500.2100 ELE RISER & INTERNAL BASE	1500	2.10	2635	\$4,722.10
ELER1500.2400IB	1500.2400 ELE RISER & INTERNAL BASE	1500	2.40	2958	\$5,254.46



Please Note:

All prices are subject to change without prior notice.
Concrete Pipe prices do not include Rubber Rings or External Bands.

All prices are ex our yard
Weights not guaranteed
Freight to site will be at extra charge



ELE Manhole Riser on BASE 1050-230

(for 600 to 900 dia. see our Sump Range)

MCG Ltd | 18 Murray Street | Aramoho | Wanganui | 06 344 5911 | 0800 ELE 222 | www.mcg-ele.co.nz

CODE	DESCRIPTION	DIA.	LGTH	WEIGHT KGS	EX-YARD PRICE
------	-------------	------	------	---------------	------------------

1800

1800 Manhole Riser on Flanged Base - STANDARD

ELER1800.0600FB	1800.0600 ELE MANHOLE RISER & FL BASE	1800	0.60	2311	\$3,575.45
ELER1800.0900FB	1800.0900 ELE MANHOLE RISER & FL BASE	1800	0.90	2713	\$4,177.71
ELER1800.1200FB	1800.1200 ELE MANHOLE RISER & FL BASE	1800	1.20	3115	\$4,912.41
ELER1800.1500FB	1800.1500 ELE MANHOLE RISER & FL BASE	1800	1.50	3517	\$5,647.12
ELER1800.1800FB	1800.1800 ELE MANHOLE RISER & FL BASE	1800	1.80	3919	\$6,381.82
ELER1800.2100FB	1800.2100 ELE MANHOLE RISER & FL BASE	1800	2.10	4321	\$7,116.53
ELER1800.2400FB	1800.2400 ELE MANHOLE RISER & FL BASE	1800	2.40	4777	\$7,851.22

1800 Manhole Riser on Flanged Base - NO Step Holes

ELER1800.0600.NH.FB	1800.0600 ELE RISER & FL BASE NO HOLES	1800	0.60	2311	\$3,575.45
ELER1800.0900.NH.FB	1800.0900 ELE RISER & FL BASE NO HOLES	1800	0.90	2713	\$4,177.71
ELER1800.1200.NH.FB	1800.1200 ELE RISER & FL BASE NO HOLES	1800	1.20	3115	\$4,912.41
ELER1800.1500.NH.FB	1800.1500 ELE RISER & FL BASE NO HOLES	1800	1.50	3517	\$5,647.12
ELER1800.1800.NH.FB	1800.1800 ELE RISER & FL BASE NO HOLES	1800	1.80	3919	\$6,381.82
ELER1800.2100.NH.FB	1800.2100 ELE RISER & FL BASE NO HOLES	1800	2.10	4321	\$7,116.53
ELER1800.2400.NH.FB	1800.2400 ELE RISER & FL BASE NO HOLES	1800	2.40	4777	\$7,851.22

1800 Manhole Riser WITH Internal Base

ELER1800.0600IB	1800.0600 ELE RISER & INTERNAL BASE	1800	0.60	1720	\$3,192.77
ELER1800.0900IB	1800.0900 ELE RISER & INTERNAL BASE	1800	0.90	2123	\$3,578.00
ELER1800.1200IB	1800.1200 ELE RISER & INTERNAL BASE	1800	1.20	2525	\$4,312.71
ELER1800.1500IB	1800.1500 ELE RISER & INTERNAL BASE	1800	1.50	2927	\$5,047.40
ELER1800.1800IB	1800.1800 ELE RISER & INTERNAL BASE	1800	1.80	3329	\$5,782.12
ELER1800.2100IB	1800.2100 ELE RISER & INTERNAL BASE	1800	2.10	3731	\$6,516.82
ELER1800.2400IB	1800.2400 ELE RISER & INTERNAL BASE	1800	2.40	4187	\$7,251.53



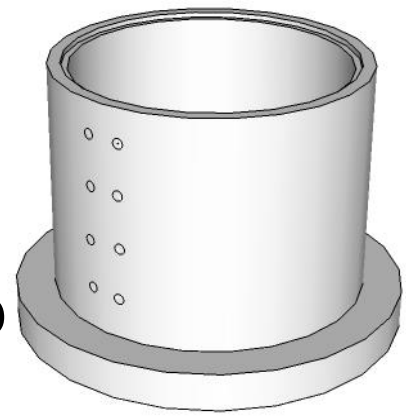
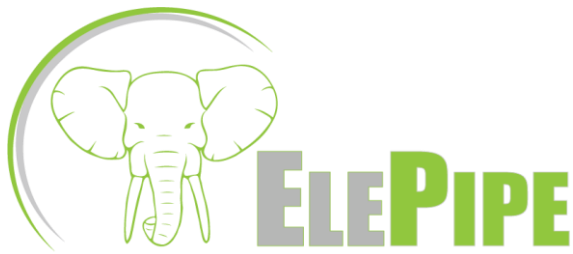
MCG

**McDONALD
CONCRETE
GROUP Ltd**

Please Note:

All prices are subject to change without prior notice.
Concrete Pipe prices do not include Rubber Rings or External Bands.

All prices are ex our yard
Weights not guaranteed
Freight to site will be at extra charge



ELE Manhole Riser on BASE 1050-230

(for 600 to 900 dia. see our Sump Range)

MCG Ltd | 18 Murray Street | Aramoho | Wanganui | 06 344 5911 | 0800 ELE 222 | www.mcg-ele.co.nz

CODE	DESCRIPTION	DIA.	LGTH	WEIGHT KGS	EX-YARD PRICE
------	-------------	------	------	---------------	------------------

2300

2300 Manhole Riser (Maximum Height 1200) on Flanged Base - STANDARD

ELER2300.0300FB	2300.0300 ELE MANHOLE RISER & FL BASE	2300	0.30	3645	\$3,252.82
ELER2300.0600FB	2300.0600 ELE MANHOLE RISER & FL BASE	2300	0.60	4390	\$4,504.04
ELER2300.0900FB	2300.0900 ELE MANHOLE RISER & FL BASE	2300	0.90	5135	\$5,773.30
ELER2300.1200FB	2300.1200 ELE MANHOLE RISER & FL BASE	2300	1.20	5880	\$7,024.53

2300 Manhole Riser (Maximum Height 1200) on Flanged Base - NO Step Holes

ELER2300.0300.NH.FB	2300.0300 ELE RISER & FL BASE NO HOLES	2300	0.30	3645	\$3,252.82
ELER2300.0600.NH.FB	2300.0600 ELE RISER & FL BASE NO HOLES	2300	0.60	4390	\$4,504.04
ELER2300.0900.NH.FB	2300.0900 ELE RISER & FL BASE NO HOLES	2300	0.90	5135	\$5,773.30
ELER2300.1200.NH.FB	2300.1200 ELE RISER & FL BASE NO HOLES	2300	1.20	3517	\$7,024.53

2300 Manhole Riser (Maximum Height 1200) WITH Internal Base

ELER2300.0300IB	2300.0300 ELE RISER & INTERNAL BASE	2300	0.30	2745	\$3,049.85
ELER2300.0600IB	2300.0600 ELE RISER & INTERNAL BASE	2300	0.60	3490	\$4,133.36
ELER2300.0900IB	2300.0900 ELE RISER & INTERNAL BASE	2300	0.90	4235	\$5,238.70
ELER2300.1200IB	2300.1200 ELE RISER & INTERNAL BASE	2300	1.20	4980	\$6,350.17



MCG

**McDONALD
CONCRETE
GROUP Ltd**

Please Note:

All prices are subject to change without prior notice.
Concrete Pipe prices do not include Rubber Rings or External Bands.

All prices are ex our yard
Weights not guaranteed
Freight to site will be at extra charge