

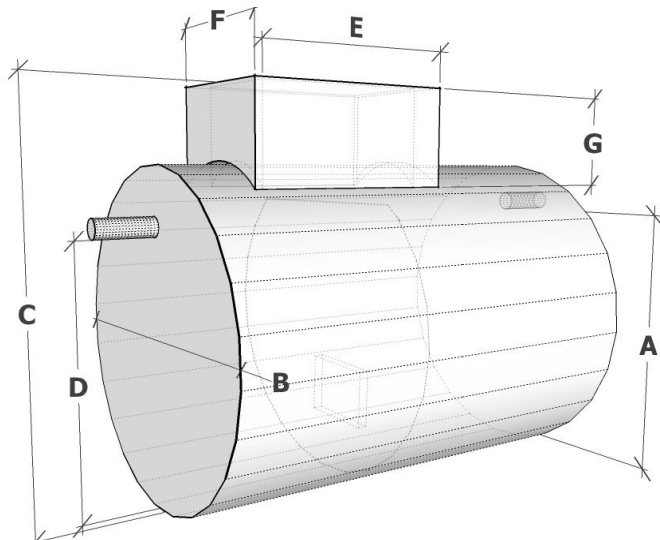
ELETECH

CONCRETE SEPTIC TANKS

CODE	DESCRIPTION	MEASUREMENT	WEIGHT KGS	EX-YARD PRICE EXCL GST
LS800	3400 Litres		3250	\$2,639.88
	Bottom of pipe /Inlet Level	A = 1430mm		
	Tank Diameter	B = 1660mm		
	Total Height	C = 1960mm		
	Bottom of pipe /Outlet Level	D = 1330mm		
	Overall Length of tank	D = 2275mm		
	Septic Saddle Length	E = 1100mm		
	Septic Saddle Width	F = 700mm		
Septic Saddle Height	G = 300mm			
LS1000	4500 Litres		4000	\$2,998.98
	Bottom of pipe /Inlet Level	A = 1630mm		
	Tank Diameter	B = 1920mm		
	Total Height	C = 2220mm		
	Bottom of pipe /Outlet Level	D = 1530mm		
	Overall Length of tank	D = 2310mm		
	Septic Saddle Length	E = 1100mm		
	Septic Saddle Width	F = 700mm		
Septic Saddle Height	G = 300mm			

ELETECH, a new dimension in septic tank design and construction

Full compliance of AS/NZ 1546 Standard, these tanks usher in a new era of septic tank construction. Manufactured of high strength concrete encasing specially designed and manufactured reinforcing steel that imparts superior strength whilst allowing the tank to be completely checked and assembled prior to delivery to site.



ELETECH provides two sizes of septic tanks

3,400 Litre (for 1-3 bedrooms)

4,500 Litre (for 4+ bedrooms)

ELETECH tanks are stronger but lighter in weight than others due to their unique design.

ELETECH tanks will withstand 250Kg loading on a 0.05m² area - even on access covers.



MCG Ltd | 18 Murray Street | Aramoho | Wanganui | 06 344 5911 | 0800 ELE 222 | www.mcg-ele.co.nz

Please note:

Sizes are not guaranteed may vary due to manufacturing process
Weights are not guaranteed may vary from those stated

All prices are exclusive of GST

All prices are ex yard
Freight to site will be at extra cost



ELETECH

SEPTIC TANK ACCESSORIES

CODE	DESCRIPTION	SIZE	WEIGHT KGS	EX-YARD PRICE EXCL GST
------	-------------	------	---------------	---------------------------

ELETECH FILTER

An ELETECH effluent filter prevents large solids from leaving the septic tank, dramatically improving the quality of effluent and extending drainfield life.

FILTER	FILTER only for SEPTIC TANK	Fits both sizes	-	\$307.45
--------	-----------------------------	------------------------	---	----------

SEPTIC TANK RISERS

LSRISER100	100mm SEPTIC RISER UNIT	1100 x 700 x 100	76	\$199.12
LSRISER150	150mm SEPTIC RISER UNIT	1100 x 700 x 150	113	\$223.60
LSRISER200	200mm SEPTIC RISER UNIT	1100 x 700 x 200	180	\$249.36
LSRISER250	250mm SEPTIC RISER UNIT	1100 x 700 x 250	240	\$273.83
LSRISER300	300mm SEPTIC RISER UNIT	1100 x 700 x 300	300	\$296.88
LSRISER450	450mm SEPTIC RISER UNIT	1100 x 700 x 450	360	\$391.29

DOSING CHAMBER | LID | RISERS

LDOSING	740 Ltr DOSING CHAMBER	2065 High .920 Dia	840	\$1,826.38
LDOSLID	DOSING CHAMBER LID	0.910 x 0.50	72	\$197.06
LDOSINGPUMP	DOSING CHAMBER - COMPLETE with PUMP		-	P.O.A.

Dosing Risers can be cut to your requirements

LDOSR100	100mm DOSING CHAMBER RISER			\$387.17
LDOSR150	150mm DOSING CHAMBER RISER			\$443.84
LDOSR200	200mm DOSING CHAMBER RISER			\$506.18
LDOSR250	250mm DOSING CHAMBER RISER			\$592.48
LDOSR300	300mm DOSING CHAMBER RISER			\$663.32
LDOSR350	350mm DOSING CHAMBER RISER			\$739.31
LDOSR400	400mm DOSING CHAMBER RISER			\$759.92
LDOSR450	450mm DOSING CHAMBER RISER			\$908.04



MCG

McDONALD
CONCRETE
GROUP Ltd

MCG Ltd | 18 Murray Street | Aramoho | Wanganui | 06 344 5911 | 0800 ELE 222 | www.mcg-ele.co.nz

Please note:

Sizes are not guaranteed may vary due to manufacturing process
Weights are not guaranteed may vary from those stated

All prices are exclusive of GST

All prices are ex yard
Freight to site will be at extra cost